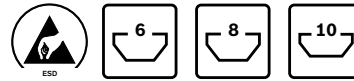


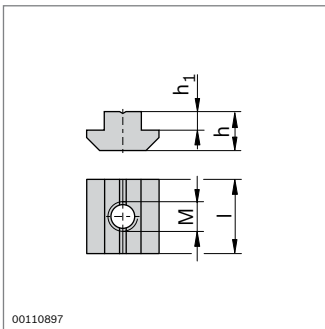
19615

### Sliding block, sliding block profile



- ▶ Sliding block for reliable absorption of high forces
- ▶ Sliding block profile for self-assembly of individual fastening elements
- ▶ Profile finishing: not required
- ▶ The spring assists with the assembly and positioning of the sliding block and swivel-in sliding block (p. 3-8)

Technical data (p. 19-5)



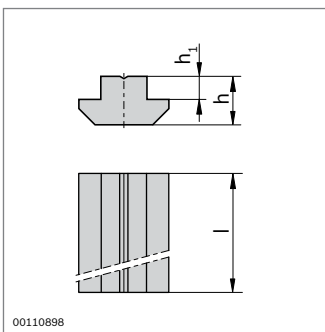
00110897

Slot	
6 (M5)	3 000 N
8 (M8)	6 000 N
10 (M8)	8 000 ... 24 000 N <sup>1)</sup>

<sup>1)</sup> Depending on profile (p. 19-5)

Sliding block	Slot	M	h (mm)	h <sub>1</sub> (mm)	l (mm)	ESD	No.
<b>steel; galvanized</b>	6	M4	4.0	1.0	12		100 <b>3 842 542 692</b>
		M5	4.0	1.0	12		100 <b>3 842 542 693</b>
	8	M4	6.0	2.0	16		100 <b>3 842 514 928</b>
		M5	6.0	2.0	16		100 <b>3 842 514 929</b>
		M6	6.0	2.0	16		100 <b>3 842 514 930</b>
		M8	6.0	2.0	16		100 <b>3 842 514 931</b>
10	M5	10.5	5.0	20		100 <b>3 842 528 741</b>	
	M6	10.5	5.0	20		100 <b>3 842 528 738</b>	
	M8	10.5	5.0	20		100 <b>3 842 528 735</b>	
<b>steel, stainless</b>	6	M4	4.0	1.0	12		100 <b>3 842 523 140</b>
		M5	4.0	1.0	12		100 <b>3 842 523 142</b>
	8	M4	6.0	2.0	16		100 <b>3 842 547 817</b>
		M5	6.0	2.0	16		100 <b>3 842 547 816</b>
		M6	6.0	2.0	16		100 <b>3 842 547 815</b>
		M8	6.0	2.0	16		100 <b>3 842 547 814</b>
	10	M5	10.5	5.0	20		100 <b>3 842 547 813</b>
		M6	10.5	5.0	20		100 <b>3 842 547 812</b>
		M8	10.5	5.0	20		100 <b>3 842 547 811</b>

Accessories: Spring (p. 3-9)



00110898

Sliding block profile	Slot	h (mm)	h <sub>1</sub> (mm)	l (mm)	No.
<b>steel; galvanized</b>	6	4.0	1.0	1000	<b>3 842 542 694</b>
	8	6.0	2.0	1000	<b>3 842 510 078</b>
	10	10.5	5.0	1000	<b>3 842 528 744</b>
<b>steel, stainless</b>	6	4.0	1.0	1000	<b>3 842 523 438</b>

Accessories: Spring (p. 3-9)